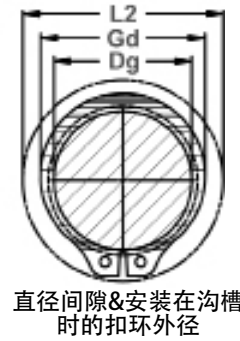
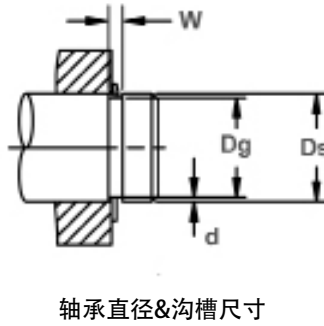
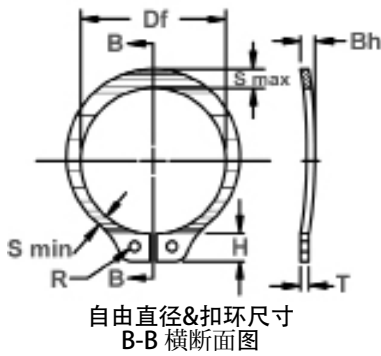




BSH 轴用偏心型扣环

轴用弯曲C型扣环

此扣环装载在轴承上，具有能够填补组件累积公差的特征。一旦安装入轴上沟槽中，弯曲扣环可以对指定范围内的零件施加力度或预加负荷。



扣环编号	轴承直径			沟槽尺寸					扣环尺寸 & 重量						间隙直径		i所负载推力 (lbs.) 无受面角部		
				沟槽直径	沟槽宽度	深度	自由直径		板厚***	弯曲高度		重量 (1000个)	插入 轴承时	装载在 轴承中	扣环 安全率 (=4)	沟槽 安全率 (=2)			
	Ds DEC	Ds FRACT	Ds mm	Dg	公差	W	公差	d	Df	公差	T	公差	Bh	公差	lbs.	L1	L2	Pr	Pg
BSH-25	.250	1/4	6.4	.230	±.0015.0015*	.040		.010	.225	+0.002-.004	.025		.047		.21	.45	.43	599	175
BSH-27	.276	-	7.0	.255		.040		.010	.250		.025		.047		.23	.48	.46	660	195
BSH-28	.281	9/32	7.1	.261		.040		.010	.256		.025		.047		.24	.49	.47	670	200
BSH-31	.312	5/16	7.9	.290		.040		.011	.281		.025		.047		.27	.54	.52	751	240
BSH-34	.344	11/32	8.7	.321		.040		.011	.309		.025		.047		.31	.57	.55	812	265
BSH-35	.354	-	9.0	.330	±.002	.040		.012	.320	+0.002	.025		.047	±.006	.35	.59	.57	832	300
BSH-37	.375	3/8	9.5	.352	.002*	.040		.012	.338	-.005	.025		.047		.39	.61	.59	883	325
BSH-39	.394	-	10.0	.369		.040		.012	.354		.025		.047		.42	.62	.60	954	335
BSH-40	.406	13/32	10.3	.382		.040		.012	.366		.025		.047		.43	.63	.61	964	350
BSH-43	.438	7/16	11.1	.412		.040		.013	.395		.025		.047		.50	.66	.64	1035	400
BSH-46	.469	15/32	11.9	.443		.040		.013	.428		.025		.047		.54	.68	.66	1117	450
BSH-50	.500	1/2	12.7	.468	±.002	.055		.016	.461		.035		.063		.91	.77	.74	1675	550
BSH-55	.551	-	14.0	.519	.004*	.055		.016	.509		.035		.063		.90	.81	.78	1827	600
BSH-56	.562	9/16	14.3	.530		.055		.016	.521		.035		.063		1.1	.82	.79	1878	650
BSH-59	.594	19/32	15.1	.559		.055		.017	.550		.035		.063	±.007	1.2	.86	.83	1979	750
BSH-62	.625	5/8	15.9	.588		.055		.018	.579		.035	±.002	.063		1.3	.90	.87	2091	800
BSH-66	.669	-	17.0	.629		.055	+0.003	.020	.621		.035		.063		1.4	.93	.89	2233	950
BSH-66	.672	43/64	17.1	.631		.055	-.000	.020	.621		.035		.063		1.4	.93	.89	2233	950
BSH-68	.688	11/16	17.5	.646	±.003	.062		.021	.635	+0.005	.042		.073		1.8	1.01	.97	3451	1000
BSH-75	.750	3/4	19.0	.704	.004*	.062		.023	.693	-.010	.042		.073		2.1	1.09	1.05	3756	1200
BSH-78	.781	25/32	19.8	.733		.062		.024	.722		.042		.073		2.2	1.12	1.08	3959	1300
BSH-81	.812	13/16	20.6	.762		.062		.025	.751		.042		.073		2.5	1.15	1.10	4060	1450
BSH-87	.875	7/8	22.2	.821		.062		.027	.810		.042		.073	±.008	2.8	1.21	1.16	4365	1650
BSH-93	.938	15/16	23.8	.882		.062		.028	.867		.042		.073		3.1	1.34	1.29	4720	1850
BSH-98	.984	63/64	25.0	.926		.062		.029	.910		.042		.073		3.5	1.39	1.34	4923	2000
BSH-100	1.000	1	25.4	.940		.062		.030	.925		.042		.073		3.6	1.41	1.35	5024	2100
BSH-102	1.023	-	26.0	.961		.062		.031	.946		.042		.073		3.9	1.43	1.37	5126	2250
BSH-106	1.062	1-1/16	27.0	.998		.070		.032	.982		.050		.085		4.8	1.50	1.44	6293	2400
BSH-112	1.125	1-1/8	28.6	1.059		.070		.033	1.041		.050		.085		5.1	1.55	1.49	6699	2600
BSH-118	1.188	1-3/16	30.2	1.118		.070		.035	1.098		.050		.085		5.6	1.61	1.54	7105	2950
BSH-125	1.250	1-1/4	31.7	1.176	±.004	.070		.037	1.156	+0.010	.050		.085	±.012	5.9	1.69	1.62	7460	3250
BSH-131	1.312	1-5/16	33.3	1.232	.005*	.070		.040	1.214	-.015	.050		.085		6.8	1.75	1.67	7866	3700
BSH-137	1.375	1-3/8	34.9	1.291		.070		.042	1.272		.050		.085		7.2	1.80	1.72	8222	4100
BSH-143	1.438	1-7/16	36.5	1.350		.070		.044	1.333		.050		.085		8.1	1.87	1.79	8628	4500
BSH-150	1.500	1-1/2	38.1	1.406		.070		.047	1.387		.050		.085		9.0	1.99	1.90	8932	5000
BSH-162	1.625	1-5/8	41.3	1.529	±.005	.096	+0.005	.048	1.503	+0.013	.062	±.003	.115	±.015	13.2	2.17	2.08	12028	5500
BSH-175	1.750	1-3/4	44.4	1.650	.005*	.096	-.000	.050	1.618	-.020	.062		.115		15.3	2.31	2.21	12992	6200

单位: inch

* F.I.M. (指示器读数最大值): 沟槽直径一轴直径中心部允许存在最大偏差

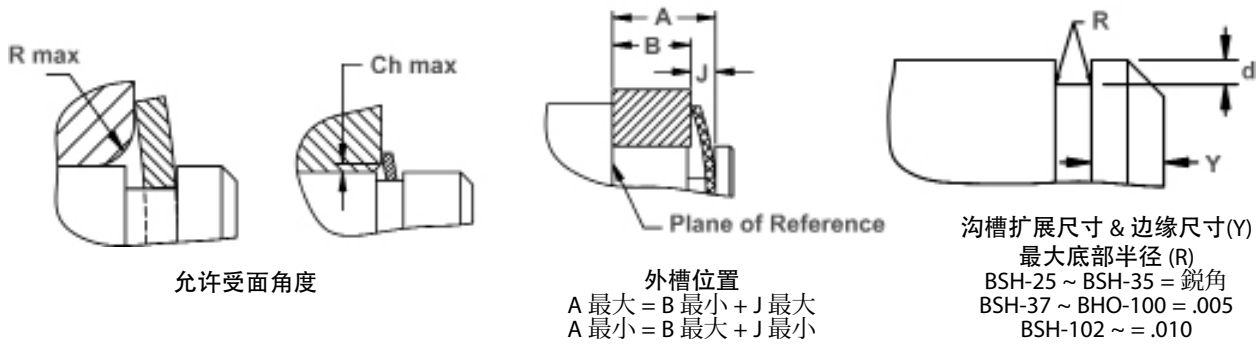
i以开孔/轴的冷延钢板为基准使用。关于为计算出负载推力, 其他性能数据而使用的公式说明
如果需要, 请联系我们。

*** 对于扣环需要实施电镀工艺, 需要在板厚(T)基础上增加0.002inch。

硬度范围: 不锈钢制扣环 (PH 15-7Mo)

扣环型号	尺寸范围	规格	洛氏硬度
BSH	25 ~ 81	30N	63 ~ 69.5
	87 以上	C	44 ~ 51





扣环编号	负重承受侧的沟槽壁到达固定部位的距离		公差 A & B 的卷取量	将扣环平整化所需负重力	允许受面角度		R最大 Ch最大时的最大承重	边缘尺寸	凸出部高	最大板幅		最小板幅		安装孔直径		安装在沟槽中扣环的外径	R.P.M 限制值	
	J最小	J最大			J最大 - J最小	lbs.				R最小	Ch最大	P'r (lbs.)	Y	H	公差			s最大
BSH-25	.030	.038	.008	50	.018	.011	470	.030	.080	±.003	.035	±.003	.025	±.003	.041	+.010	.290	80000
BSH-27	.030	.038		50	.0175	.0105	470	.031	.081		.035		.024		.041		.315	76000
BSH-28	.030	.038		50	.020	.012	470	.030	.080		.038		.0255		.041		.326	74000
BSH-31	.030	.038		50	.020	.012	470	.033	.087		.040		.026		.041		.357	70000
BSH-34	.030	.038		45	.021	.0125	470	.033	.087		.042		.0265		.041		.390	64000
BSH-35	.030	.038		45	.023	.014	470	.036	.087		.050		.0305		.041		.405	62000
BSH-37	.030	.038		45	.026	.0155	470	.036	.088		.052		.031		.041		.433	60000
BSH-39	.030	.038		40	.027	.016	470	.037	.087		.054		.033		.041		.452	56500
BSH-40	.030	.038		40	.0285	.017	470	.036	.087		.055		.033		.041		.468	55000
BSH-43	.030	.038		35	.029	.0175	470	.039	.088		.060		.035		.041		.501	50000
BSH-46	.030	.038	35	.031	.018	470	.039	.088	.065	.040	.047	.574	40000					
BSH-50	.042	.053	90	.034	.020	910	.048	.108	.053	.036	.047	.611	36000					
BSH-55	.042	.053	85	.027	.0165	910	.048	.108	.072	±.004	.041	±.004	.047	.644	35000			
BSH-56	.042	.053	80	.038	.023	910	.048	.108	.076	±.004	.043	±.004	.047	.680	32000			
BSH-59	.042	.053	70	.0395	.0235	910	.052	.109	.082	±.004	.043	±.004	.047	.756	29000			
BSH-62	.042	.053	60	.0415	.025	910	.055	.110	.082	±.004	.043	±.004	.047	.758	29000			
BSH-66	.042	.053	50	.040	.024	910	.060	.110	.084	±.004	.048	±.004	.052	.779	28000			
BSH-68	.049	.060	70	.042	.025	1340	.063	.136	.092	±.005	.051	±.005	.052	.850	26500			
BSH-75	.049	.060	65	.046	.0275	1340	.069	.136	.094	±.005	.052	±.005	.052	.883	25500			
BSH-78	.049	.060	60	.047	.028	1340	.072	.136	.096	±.005	.054	±.005	.052	.914	24500			
BSH-81	.049	.060	55	.047	.028	1340	.075	.136	.104	±.005	.057	±.005	.052	.987	23000			
BSH-87	.049	.060	45	.051	.035	1340	.081	.137	.110	±.005	.063	±.005	.078	1.054	21500			
BSH-93	.049	.060	40	.055	.033	1340	.084	.166	.114	±.006	.0645	±.006	.078	1.106	20500			
BSH-98	.049	.060	40	.056	.0335	1340	.087	.167	.116	±.006	.065	±.006	.078	1.122	20000			
BSH-100	.049	.060	35	.057	.034	1340	.090	.167	.118	±.006	.066	±.006	.078	1.147	19500			
BSH-102	.049	.060	35	.058	.035	1340	.093	.168	.122	±.006	.069	±.006	.078	1.192	19000			
BSH-106	.057	.068	60	.060	.036	1950	.096	.181	.128	±.006	.071	±.006	.078	1.261	18800			
BSH-112	.057	.068	55	.063	.038	1950	.099	.182	.132	±.006	.072	±.006	.078	1.325	18000			
BSH-118	.057	.068	50	.064	.0385	1950	.105	.182	.140	±.006	.076	±.006	.078	1.396	17000			
BSH-125	.057	.068	45	.068	.041	1950	.111	.183	.146	±.006	.0765	±.006	.078	1.458	16500			
BSH-131	.057	.068	40	.068	.041	1950	.120	.183	.152	±.006	.082	±.006	.078	1.529	16000			
BSH-137	.057	.068	35	.072	.043	1950	.126	.184	.160	±.006	.086	±.006	.078	1.600	15000			
BSH-143	.057	.068	30	.076	.045	1950	.132	.184	.168	±.006	.091	±.006	.120	1.668	14800			
BSH-150	.057	.068	30	.079	.047	1950	.141	.214	.180	±.006	.097	±.006	.125	1.812	13200			
BSH-162	.069	.094	55	.087	.052	3000	.144	.235	.188	±.006	.101	±.006	.125	1.945	12200			
BSH-175	.069	.094	50	.091	.054	3000	.150	.237										

单位: inch

如果需要其他尺寸, 请联系我们。

硬度范围: 碳素弹簧钢制扣环 (SAE 1060-1090)

扣环型号	尺寸范围	规格	洛氏硬度
BSH	25 ~ 46	30N	69.5 ~ 73
	50 ~ 81	30N	66 ~ 71
	87 ~ 102	C	47 ~ 53
	106 以上	C	47 ~ 52

硬度范围: 铍铜合金制造扣环

扣环型号	尺寸范围	规格	洛氏硬度
BSH	18 ~ 23	15N	77 ~ 82*
	25 ~ 102	30N	54 ~ 62
	106 以上	C	34 ~ 43

*无法确认相同尺寸的扣环硬度精度。

