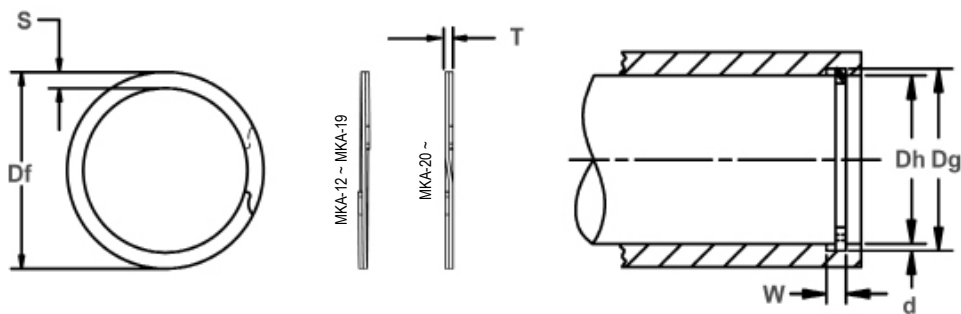




MKA 开孔用螺旋环

开孔用-宇宙航空产业专用
 适合宇宙航空产业用
 MA4017规格



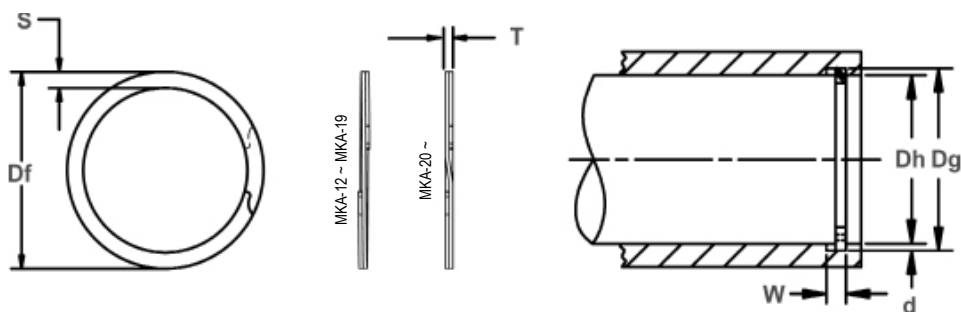
自由直径&扣环尺寸

开孔直径&沟槽尺寸

扣环 编号	开孔直径 (mm)	沟槽尺寸				扣环尺寸						承受推力 (N)	
		沟槽直径		沟槽宽度		自由直径		板厚		板宽		扣环 安全率 (=3)	沟槽 安全率 (=2)
		Dh	Dg	公差	W	公差	Df	公差	T	公差	S	公差	
MKA-12	12.00	12.70	±0.05	0.70	+0.08 -0.00	12.89	±0.35 -0.00	0.60	±0.05	1.14	±0.10	7,950	2,050
MKA-13	13.00	13.75		1.00		13.95		0.89		1.14		12,110	2,410
MKA-14	14.00	14.85		1.00		15.07		0.89		1.40		13,040	2,930
MKA-15	15.00	15.90		1.00		16.14		0.89		1.40		13,970	3,290
MKA-16	16.00	16.95		1.00		17.15		0.89		1.40		14,900	3,740
MKA-17	17.00	18.05	1.00	18.32	0.89	1.65	15,830	4,390					
MKA-18	18.00	19.10	1.00	19.39	0.89	1.65	16,760	4,820					
MKA-19	19.00	20.17	±0.075	1.00	20.48	±0.35 -0.00	0.89	±0.05	1.65	±0.10	17,690	5,460	
MKA-20	20.00	21.22		1.00	21.51		0.89		1.91		18,620	5,940	
MKA-21	21.00	22.27		1.00	22.56		0.89		1.91		19,550	6,550	
MKA-22	22.00	23.37		1.20	23.65		1.07		1.91		24,630	7,390	
MKA-23	23.00	24.42		1.20	24.69		1.07		2.16		25,750	7,950	
MKA-24	24.00	25.47		1.20	25.73		1.07		2.16		26,870	8,650	
MKA-25	25.00	26.67		1.20	27.03		1.07		2.16		27,990	10,230	
MKA-26	26.00	27.77		1.20	28.07		1.07		2.16		29,110	11,270	
MKA-27	27.00	28.87		1.40	29.11		1.27		2.64		31,170	12,360	
MKA-28	28.00	29.87		1.40	30.10		1.27		2.64		32,330	12,820	
MKA-29	29.00	30.95	1.40	31.21	1.27	2.64	33,480	13,840					
MKA-30	30.00	32.00	1.40	32.28	1.27	2.64	34,640	14,610					
MKA-31	31.00	33.05	1.40	33.32	1.27	2.64	35,790	15,550					
MKA-32	32.00	34.00	1.40	34.23	1.27	2.64	36,950	15,880					
MKA-34	34.00	36.20	1.40	36.46	1.27	3.00	39,260	18,210					
MKA-35	35.00	37.30	1.40	37.55	1.27	3.00	40,410	19,600					
MKA-36	36.00	38.40	±0.10	1.40	38.68	1.27	3.00	41,560	21,040				
MKA-37	37.00	39.40		1.40	39.60	1.27	3.00	42,720	21,620				
MKA-38	38.00	40.50		1.40	40.77	1.27	3.00	43,870	23,130				
MKA-40	40.00	42.50		1.75	42.91	1.57	3.25	57,090	24,350				
MKA-42	42.00	44.60		1.75	45.01	1.57	3.25	59,950	26,590				
MKA-45	45.00	47.70		1.75	48.13	1.57	3.25	64,230	29,590				
MKA-46	46.00	48.80		1.75	49.28	1.57	3.25	65,660	31,370				
MKA-47	47.00	49.90		1.75	50.32	1.57	4.01	67,080	33,190				
MKA-48	48.00	51.00		1.75	51.46	1.57	4.01	68,510	35,070				
MKA-50	50.00	53.20		1.75	53.66	1.57	4.01	71,370	38,960				
MKA-52	52.00	53.79	±0.125	1.42	54.30	1.25	3.25	59,090	22,790				
MKA-53	53.00	54.79		1.42	55.32	1.25	3.25	60,230	23,230				
MKA-55	55.00	56.85		1.42	57.38	1.25	3.51	62,500	24,910				
MKA-56	56.00	57.85		1.42	58.40	1.25	3.51	63,640	25,360				
MKA-58	58.00	59.85		1.42	60.43	1.25	3.51	65,910	26,270				
MKA-59	59.00	60.93	±0.15	1.42	61.54	1.25	3.51	67,050	27,870				
MKA-60	60.00	61.99		1.42	62.57	1.25	3.51	68,180	29,220				
MKA-61	61.00	63.09		1.42	63.65	1.25	3.81	69,320	31,190				
MKA-62	62.00	64.09		1.42	64.70	1.25	3.81	70,460	31,700				
MKA-63	63.00	65.09		1.42	65.70	1.25	3.81	71,590	32,220				
MKA-64	64.00	66.19		1.42	66.77	1.25	3.81	72,730	34,290				
MKA-65	65.00	67.19		1.42	67.82	1.25	3.81	73,870	34,820				
MKA-66	66.00	68.19		1.42	68.80	1.25	3.81	75,000	35,360				
MKA-67	67.00	69.25		1.42	69.90	1.25	3.81	76,140	36,870				

单位: mm





自由直径&扣环尺寸

开孔直径&沟槽尺寸

扣环 编号	开孔直径		沟槽尺寸				扣环尺寸				承受推力 (N)			
	(mm)		沟槽直径		沟槽宽度		自由直径		板厚		板宽		扣环 安全率 (=3)	沟槽 安全率 (=2)
	Dh	Dg	Dg	公差	W	公差	Df	公差	T	公差	S	公差		
MKA-68	68.00	70.29			1.42		70.94		1.25		4.01		77,270	38,090
MKA-69	69.00	71.29			1.42		71.94		1.25		4.01	±0.10	78,410	38,650
MKA-70	70.00	72.29			1.42	+0.10	72.94	+0.63	1.25		4.01		79,550	39,210
MKA-71	71.00	73.29			1.42	-0.00	73.99	-0.00	1.25		4.01		80,680	39,770
MKA-72	72.00	74.39			1.42		75.04		1.25		4.27		81,510	40,910
MKA-75	75.00	77.39			1.42		78.07		1.25		4.27		85,230	43,830
MKA-78	78.00	80.45			1.73		81.21		1.55		4.27		109,910	46,730
MKA-80	80.00	82.49			1.73		83.22		1.55		4.52		112,730	48,700
MKA-82	82.00	84.55			1.73		85.28		1.55		4.52		115,550	51,120
MKA-85	85.00	87.65			1.73		88.38		1.55	±0.08	4.78		119,780	55,060
MKA-88	88.00	90.69			1.73		91.45	+0.76	1.55		4.78		124,000	57,860
MKA-90	90.00	92.79	±0.15		1.73		93.58	-0.00	1.55		5.03		126,820	61,370
MKA-92	92.00	94.85			1.73		95.66		1.55		5.03		129,640	64,070
MKA-95	95.00	97.85			1.73		98.69		1.55		5.03		133,870	66,160
MKA-98	98.00	100.99			1.73	+0.13	101.83		1.55		5.28	±0.13	138,090	71,590
MKA-100	100.00	102.99			1.73	-0.00	103.83		1.55		5.28		140,910	73,050
MKA-102	102.00	105.15			1.73		106.00		1.55		5.54		143,730	78,490
MKA-105	105.00	108.15			1.73		109.00		1.55		5.54		147,960	80,800
MKA-108	108.00	111.31			1.73		112.22		1.55		5.79		152,190	87,310
MKA-110	110.00	113.31			1.73		114.25		1.55		5.79		155,000	92,140
MKA-112	112.00	115.45			1.73		116.44	+0.90	1.55		6.05		157,820	94,370
MKA-115	115.00	118.45			1.73		119.44	-0.00	1.55		6.05		162,050	96,890
MKA-120	120.00	123.55			2.00		124.54		1.83		6.35		199,640	104,030
MKA-125	125.00	128.55			2.00		129.59		1.83		6.35		207,960	108,360
MKA-130	130.00	133.65			2.00		134.71		1.83		6.35		216,280	115,860
MKA-135	135.00	138.62			2.00		139.74		1.83		6.35		224,600	119,000
MKA-140	140.00	143.72	±0.18		2.00		144.87	+1.14	1.83		6.35		232,920	126,820
MKA-145	145.00	148.82			2.00		150.04	-0.00	1.83		6.35		241,230	134,880
MKA-150	150.00	153.82			2.00		155.07		1.83		6.35		249,550	139,530
MKA-155	155.00	159.40			2.40		160.72		2.18		7.92		307,190	166,080
MKA-160	160.00	164.40			2.40		165.74		2.18		7.92		317,100	171,433
MKA-165	165.00	169.40			2.40		170.77	+1.40	2.18		7.92		327,010	176,790
MKA-170	170.00	174.60			2.40		176.05	-0.00	2.18		7.92		336,920	190,430
MKA-175	175.00	179.60			2.40		181.05		2.18	±0.10	7.92		346,830	196,030
MKA-180	180.00	184.88			2.40		186.38		2.18		7.92		356,740	213,900
MKA-185	185.00	189.88			2.40		191.10		2.18		7.92		366,650	219,840
MKA-190	190.00	194.88			2.40	+0.20	196.45		2.18		7.92		376,560	225,790
MKA-195	195.00	200.14	±0.20		2.40	-0.00	201.74		2.18		7.92	±0.15	386,460	244,070
MKA-200	200.00	205.14			2.40		206.76		2.18		7.92		396,370	250,330
MKA-210	210.00	215.40			2.40		217.10		2.18		9.53		416,490	276,140
MKA-220	220.00	225.64			2.40		227.40	+1.65	2.18		9.53		436,010	257,150
MKA-230	230.00	235.90			2.40		237.73	-0.00	2.18		9.53		455,830	330,450
MKA-240	240.00	245.90			2.40		247.80		2.18		9.53		475,650	344,810
MKA-250	250.00	256.16			2.40		258.10		2.18		9.53		495,470	375,010
MKA-260	260.00	266.40			2.40		268.43		2.18		9.53		515,290	405,210
MKA-270	270.00	276.40			2.40		278.50		2.18		9.53		535,100	420,790
MKA-280	280.00	286.66			2.40		288.82		2.18		9.53		554,920	454,100

单位: mm

