

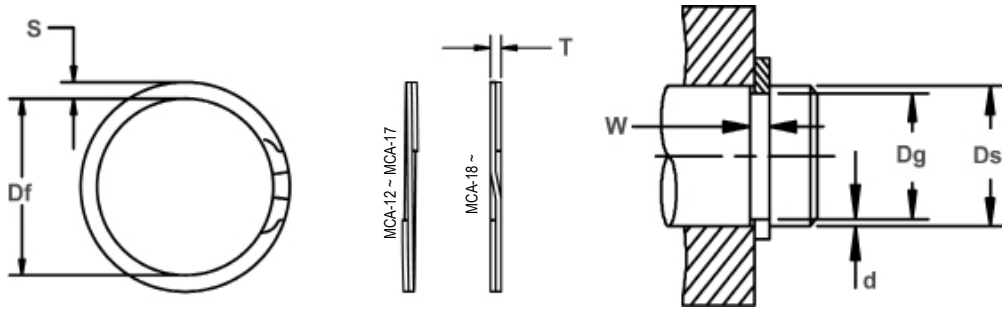
自由直径&扣环尺寸

轴承直径&沟槽直径

扣环 编号	轴承直径 (mm)	沟槽尺寸				扣环尺寸						承受推力 (N)					
		沟槽直径		沟槽宽度		自由直径		板厚		板宽		扣环 安全率 (=3)	沟槽 安全率 (=2)				
		Dg	公差	W	公差	Df	公差	T	公差	S	公差						
MCA-12	12	11.29	±0.06	0.70		11.18		0.60		1.14		7,950	2,100				
MCA-13	13	12.24		1.00		12.13		0.89		1.27		12,100	2,410				
MCA-14	14	13.19		1.00		13.06		0.89		1.27		13,040	2,800				
MCA-15	15	14.09	±0.075	1.00		13.98		0.89		1.27		13,970	3,360				
MCA-16	16	15.02		1.00		14.90		0.89		1.40		14,900	3,820				
MCA-17	17	16.02		1.00		15.82		0.89		1.40		15,830	4,060				
MCA-18	18	16.92	±0.10	1.20	+0.08 -0.00	16.80		1.07		1.65		20,150	4,730				
MCA-19	19	17.87		1.20		17.73		1.07		1.65		21,270	5,270				
MCA-20	20	18.77		1.20		18.62		1.07		1.65		22,390	6,040				
MCA-21	21	19.72	±0.05	1.20		19.57	+0.00	1.07		1.65		23,510	6,550				
MCA-22	22	20.62		1.20		20.45		1.07		1.91		24,630	7,390				
MCA-23	23	21.57		1.20		21.39		-0.33		1.07		25,750	8,070				
MCA-24	24	22.52	±0.10	1.20		22.35		1.07		1.91		26,870	8,650				
MCA-25	25	23.42		1.20		23.25		1.07		2.16		27,990	9,620				
MCA-26	26	24.42		1.20		24.21		1.07		2.16		29,110	10,000				
MCA-27	27	25.35	±0.075	1.40		25.04		1.27		2.64		31,170	10,910				
MCA-28	28	26.30		1.40		26.00		1.27		2.64		32,330	11,590				
MCA-29	29	27.27		1.40		26.95		1.27		2.64		33,480	12,290				
MCA-30	30	28.25	±0.10	1.40		27.92		1.27		2.64		34,640	12,860				
MCA-31	31	29.17		1.40		28.84		1.27		2.64		35,790	13,890				
MCA-32	32	30.09		1.40		29.77		1.27		2.64		36,950	14,960				
MCA-33	33	31.00	±0.15	1.40		31.54		1.27		3.00		39,260	17,390				
MCA-34	34	31.90		1.40		32.44		1.27		3.00		40,410	18,750				
MCA-35	35	32.80		1.40		33.40		1.27		3.00		41,560	19,810				
MCA-36	36	33.75	±0.075	1.40		34.24		1.27		3.00		42,720	21,080				
MCA-37	37	34.67		1.40		35.18		1.27		3.00		43,870	21,650				
MCA-38	38	35.66		1.40		37.15		1.57		3.25		47,090	23,960				
MCA-39	39	36.66	±0.10	1.75	+0.10 -0.00	37.15		1.57		3.25		57,090	23,960				
MCA-40	40	37.55		1.75		39.02		1.57		3.25		59,990	26,180				
MCA-41	41	38.45		1.75		41.77		1.57		3.25		64,230	30,240				
MCA-42	42	39.45	±0.075	1.75		42.67	+0.00	1.57		3.25		65,660	32,040				
MCA-43	43	40.45		1.75		43.81		1.57		4.01		67,080	30,900				
MCA-44	44	41.45		1.75		44.48		-0.51		1.57		68,510	34,600				
MCA-45	45	42.25	±0.15	1.75		46.69		1.57		4.01		71,370	36,040				
MCA-46	46	43.15		1.42		49.62		1.25		3.25		59,090	23,550				
MCA-47	47	44.31		1.42		50.62		1.25		3.25		60,230	24,000				
MCA-48	48	45.05	±0.08	1.42		51.62		1.25		3.25		61,370	24,460				
MCA-49	49	45.75		1.42		52.62		1.25		3.51		62,500	24,910				
MCA-50	50	47.05		1.42		53.62		1.25		3.51		63,640	25,370				
MCA-51	51	48.15	±0.00	1.42	+0.00 -0.63	55.43		1.25		3.51		65,910	28,250				
MCA-52	52	50.15		1.42		56.43		1.25		3.51		67,050	28,730				
MCA-53	53	51.15		1.42		57.43		1.25		3.51		68,180	29,220				
MCA-54	54	52.15	±0.00	1.42		58.36		1.25		3.51		69,320	31,190				
MCA-55	55	53.15		1.42		59.30		1.25		3.76		70,460	31,710				
MCA-56	56	54.15		1.42		60.30		1.25		3.76		71,590	32,220				
MCA-57	57	55.15	±0.00	1.42		61.25		1.25		3.76		72,730	32,730				
MCA-58	58	56.01		1.42													
MCA-59	59	57.01		1.42													
MCA-60	60	58.01															
MCA-61	61	58.91															
MCA-62	62	59.91															
MCA-63	63	60.91															
MCA-64	64	61.91															

单位: mm





自由直径&扣环尺寸

轴承直径&沟槽直径

扣环 编号	轴承直径 (mm)	沟槽尺寸				扣环尺寸						承受推力 (N)	
		沟槽直径		沟槽宽度		自由直径		板厚		板宽		扣环 安全率 (=3)	沟槽 安全率 (=2)
		Ds	Dg	公差	W	公差	Df	公差	T	公差	S		
MCA-65	65	62.81		1.42		62.20		1.25		3.76		73,870	34,820
MCA-66	66	63.79		1.42		63.16	+0.00	1.25		3.76		75,000	35,680
MCA-67	67	64.71		1.42		64.16	-0.63	1.25		3.76		76,140	37,530
MCA-68	68	65.71		1.42	+0.10	65.08		1.25		4.01	±0.10	77,270	38,090
MCA-69	69	66.71		1.42	-0.00	66.06		1.25		4.01		78,410	38,650
MCA-70	70	67.71		1.42		67.08		1.25		4.01		79,550	39,210
MCA-71	71	68.71		1.42		68.04		1.25		4.01		80,680	39,770
MCA-72	72	69.65		1.42		69.00		1.25		4.27		81,820	41,380
MCA-75	75	72.61		1.42		71.93		1.25		4.27		85,230	43,830
MCA-78	78	75.55	±0.15	1.73		74.84	+0.00	1.55	±0.08	4.27		109,910	46,730
MCA-80	80	77.51		1.73		76.80	-0.76	1.55		4.52		112,730	48,700
MCA-82	82	79.45		1.73		78.72		1.55		4.52		115,550	51,120
MCA-85	85	82.35		1.73		81.62		1.55		4.78		119,780	55,060
MCA-88	88	85.31		1.73		84.53		1.55		4.78		124,000	57,860
MCA-90	90	87.21		1.73		86.43		1.55		5.03		126,820	61,370
MCA-95	95	92.15		1.73		91.37		1.55		5.03	±0.13	133,870	66,160
MCA-100	100	97.01		1.73		96.10		1.55		5.28		140,910	73,050
MCA-105	105	101.85		1.73	+0.13	100.94		1.55		5.54		147,960	80,780
MCA-110	110	106.69		1.73	-0.00	105.75		1.55		5.79		155,000	88,930
MCA-115	115	111.55		1.73		110.59	+0.00	1.55		6.05		162,050	96,890
MCA-120	120	116.45		2.00		115.49	-1.00	1.83		6.35		199,640	104,030
MCA-125	125	121.45		2.00		120.44		1.83		6.35		207,960	108,360
MCA-130	130	126.35		2.00		125.34		1.83		6.35		216,280	115,860
MCA-135	135	131.27		2.00		130.20		1.83		6.35		224,600	122,950
MCA-140	140	136.25		2.00		135.14		1.83		6.35		232,920	128,190
MCA-145	145	141.17		2.00		140.00	+0.00	1.83		6.35		241,230	135,590
MCA-150	150	146.17		2.00		145.00	-1.30	1.83		6.35		249,550	140,260
MCA-155	155	150.60		2.40		149.33		2.18		7.92		307,190	166,080
MCA-160	160	155.60		2.40		154.31		2.18		7.92		317,100	171,430
MCA-165	165	160.60		2.40		159.23		2.18		7.92		327,010	176,790
MCA-170	170	165.40		2.40		164.00		2.18		7.92		336,920	190,430
MCA-175	175	170.40		2.40		169.00	+0.00	2.18		7.92		346,830	196,030
MCA-180	180	175.20	±0.175	2.40		173.78	-1.52	2.18	±0.10	7.92		356,740	210,400
MCA-185	185	180.20		2.40		178.70		2.18		7.92		366,650	216,240
MCA-190	190	185.20		2.40		183.70		2.18		7.92		376,560	220,080
MCA-195	195	190.00		2.40	+0.15	188.43		2.18		7.92	±0.15	386,460	237,420
MCA-200	200	195.00		2.40	-0.00	193.43		2.18		7.92		396,370	243,510
MCA-210	210	204.60		2.40		202.93		2.18		9.53		416,190	276,140
MCA-220	220	214.40		2.40		212.65		2.18		9.53		436,010	300,010
MCA-230	230	224.40		2.40		222.60	+0.00	2.18		9.53		455,830	313,640
MCA-240	240	234.20		2.40		232.32	-1.78	2.18		9.53		475,650	328,970
MCA-250	250	243.80		2.40		241.83		2.18		9.53		495,470	377,440
MCA-260	260	253.60		2.40		251.57		2.18		9.53		515,290	405,210
MCA-270	270	263.40		2.40		261.30		2.18		9.53		535,100	433,940
MCA-280	280	273.20		2.40		271.04		2.18		9.53		554,920	463,650

单位: mm