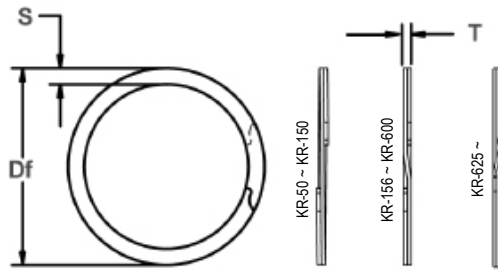




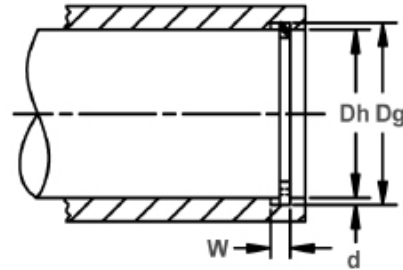
# KR 开孔用螺旋环

## 开孔用-中重负载型

此扣环的承受推力接近于重负载型螺旋环系列，并且能置于普遍的沟槽尺寸中而无需特意拓宽加深。具有装卸容易及能够承受强负载的功能。



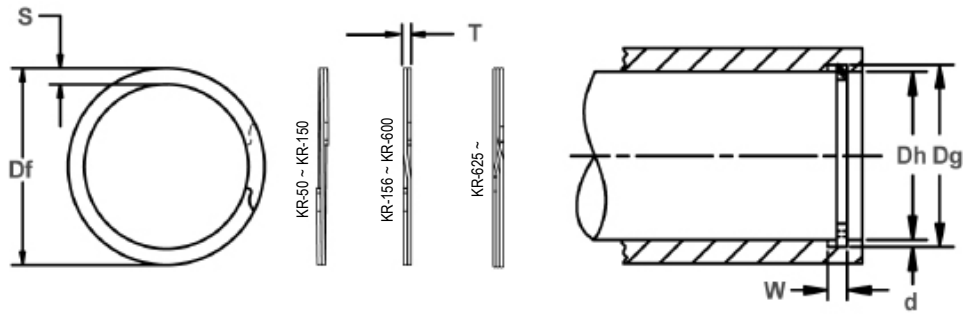
自由直径&扣环尺寸



开孔直径&沟槽尺寸

扣环 编号	开孔直径		沟槽尺寸				扣环尺寸						承受推力 (lbs.)	
	沟槽直径		沟槽宽度		深度	自由直径		板厚		板宽		扣环 安全率 (=3)	沟槽 安全率 (=2)	
	Dh	Dg	公差	W		公差	d	Df	公差	T	公差			S
KR-50	.500	.524	+.002/- .002	.039		.012	.529		.035		.045		2530	420
KR-51	.512	.536		.039		.012	.541		.035		.045		2590	430
KR-56	.562	.592		.039		.015	.597		.035		.045		2840	600
KR-62	.625	.659		.039		.017	.665		.035		.045		3160	750
KR-68	.688	.724		.039		.018	.730		.035		.055		3480	880
KR-75	.750	.790		.039		.020	.796		.035		.055		3790	1060
KR-77	.777	.819	+.003 -.003	.046	+.003	.021	.825	+.013	.042		.065		4720	1150
KR-81	.812	.857		.046	-.000	.023	.864	-.000	.042		.065		4930	1320
KR-86	.866	.912		.046		.023	.919		.042		.065		5260	1410
KR-87	.875	.922		.046		.024	.929		.042	+.002	.065		5310	1480
KR-90	.901	.950		.046		.025	.957		.042	-.002	.065		5470	1590
KR-93	.938	.989		.046		.026	.997		.042		.075		5690	1720
KR-100	1.000	1.055		.046		.028	1.063		.042		.075		6070	1980
KR-102	1.023	1.079		.046		.028	1.087		.042		.075		6210	2030
KR-106	1.062	1.120		.056		.029	1.129		.050		.078		7010	2180
KR-112	1.125	1.185		.056		.030	1.195		.050		.078	+.004	7420	2390
KR-118	1.188	1.250		.056		.031	1.260		.050		.088	-.004	7840	2600
KR-125	1.250	1.320	+.004 -.004	.056		.035	1.330	+.015	.050		.093		8250	3090
KR-131	1.312	1.385		.056		.037	1.395	-.000	.050		.093		8660	3430
KR-137	1.375	1.450		.056		.038	1.461		.050		.098		9070	3690
KR-143	1.438	1.515		.056		.039	1.526		.050		.103		9490	3960
KR-145	1.456	1.535		.056		.040	1.546		.050		.108		9610	4120
KR-150	1.500	1.580		.056	+.004	.040	1.591		.050		.108		9900	4240
KR-156	1.562	1.647		.068	-.000	.043	1.659		.062		.113		12780	4750
KR-162	1.625	1.715		.068		.045	1.727		.062		.113		13290	5170
KR-165	1.653	1.745		.068		.046	1.757		.062		.118		13520	5380
KR-168	1.688	1.780		.068		.046	1.793		.062		.118		13810	5490
KR-175	1.750	1.845	+.005 -.005	.068		.048	1.858	+.020	.062		.118		14320	5940
KR-181	1.812	1.910		.068		.049	1.923	-.000	.062		.123		14820	6280
KR-185	1.850	1.949		.068		.050	1.963		.062		.123		15130	6540
KR-187	1.875	1.975		.068		.050	1.989		.062		.128		15340	6630
KR-193	1.938	2.040		.068		.051	2.054		.062		.128		15850	6990
KR-200	2.000	2.110		.068		.055	2.125		.062		.138		16360	7780
KR-206	2.062	2.175		.086		.057	2.190		.078		.141		21220	8310
KR-212	2.125	2.240		.086		.058	2.255		.078	+.003	.141		21870	8710
KR-218	2.188	2.305		.086		.059	2.321		.078	-.003	.141		22520	9130
KR-225	2.250	2.370		.086		.060	2.386		.078		.141		23160	9540
KR-231	2.312	2.440		.086		.064	2.457		.078		.188		23800	10460
KR-237	2.375	2.505		.086		.065	2.522		.078		.188		24440	10910
KR-244	2.440	2.570		.086		.065	2.588		.078		.188		25110	11210
KR-250	2.500	2.635	+.006 -.006	.086	+.005	.068	2.653	+.025	.078		.188		25730	12020
KR-253	2.531	2.668		.086	-.000	.069	2.687	-.000	.078		.188	+.005	26050	12350
KR-256	2.562	2.700		.103		.069	2.720		.093		.188	-.005	29940	12500
KR-262	2.625	2.765		.103		.070	2.785		.093		.188		30680	12990
KR-268	2.688	2.834		.103		.073	2.855		.093		.188		31410	13870
KR-275	2.750	2.900		.103		.075	2.921		.093		.188		32140	14580
KR-281	2.813	2.965		.103		.076	2.987		.093		.188		32880	15110
KR-283	2.834	2.987		.103		.077	3.009		.093		.188		33120	15430

单位: inch



自由直径&扣环尺寸

开孔直径&沟槽尺寸

扣环 编号	开孔直径		沟槽尺寸				扣环尺寸						承受推力 (lbs.)	
			沟槽直径		沟槽宽度		深度	自由直径		板厚		板宽		扣环 安全率 (=3)
	Dh	Dg	公差	W	公差	d	Df	公差	T	公差	s	公差		
KR-287	2.875	3.030		.103		.078	3.053	+0.025	.093		.188		33600	15850
KR-300	3.000	3.165		.103		.083	3.188	-0.000	.093		.188		35060	17600
KR-306	3.062	3.230		.120		.084	3.253		.111		.250		42710	18180
KR-312	3.125	3.295		.120		.085	3.318		.111		.250		43590	18780
KR-315	3.156	3.328		.120		.086	3.354		.111		.250		44040	19190
KR-325	3.250	3.426		.120		.088	3.450		.111		.250		45330	20220
KR-334	3.346	3.525		.120		.090	3.550		.111		.250	+0.005	46670	21290
KR-346	3.464	3.650		.120		.093	3.675		.111		.250	-0.005	48320	22770
KR-350	3.500	3.690		.120		.095	3.716	+0.030	.111		.250		48820	23500
KR-354	3.543	3.735	+0.006	.120	+0.005	.096	3.761	-0.000	.111	+0.003	.250		49420	24040
KR-356	3.562	3.756	-0.006	.120	-0.000	.097	3.783		.111	-0.003	.250		49690	24420
KR-362	3.625	3.822		.120		.099	3.849		.111		.250		50560	25370
KR-375	3.750	3.955		.120		.103	3.982		.111		.250		52310	27300
KR-387	3.875	4.087		.120		.106	4.115		.111		.250		54050	29030
KR-393	3.938	4.150		.120		.106	4.178		.111		.250		54930	29510
KR-400	4.000	4.220		.120		.110	4.248		.111		.250		55800	31100
KR-412	4.125	4.345		.120		.110	4.373		.111		.312		57540	32070
KR-425	4.250	4.470		.120		.110	4.500		.111		.312		59280	33050
KR-433	4.330	4.556		.120		.113	4.586	+0.035	.111		.312		60400	34590
KR-450	4.500	4.735		.120		.118	4.768	-0.000	.111		.312		62770	37530
KR-462	4.625	4.865		.120		.120	4.897		.111		.312		64510	39230
KR-475	4.750	4.995		.120		.123	5.028		.111		.312		66260	41300
KR-500	5.000	5.260		.120		.130	5.295		.111		.312		69740	45950
KR-525	5.250	5.520		.139		.135	5.559		.127		.375		83790	50100
KR-537	5.375	5.645	+0.007	.139	+0.006	.135	5.685	+0.045	.127	+0.004	.375		85780	51290
KR-550	5.500	5.770	-0.007	.139	-0.000	.135	5.810	-0.000	.127	-0.004	.375		87780	52480
KR-575	5.750	6.020		.139		.135	6.062		.127		.375		91770	54870
KR-600	6.000	6.270		.139		.135	6.314		.127		.375		95760	57260
KR-625	6.250	6.530		.174		.140	6.576		.165		.312	+0.006	129590	61850
KR-650	6.500	6.790		.174		.145	6.837	+0.055	.165		.312	-0.006	134780	66620
KR-662	6.625	6.925		.174		.150	6.973	-0.000	.165		.312		137370	70240
KR-675	6.750	7.055		.174		.153	7.104		.165		.312		139960	73000
KR-700	7.000	7.315		.174		.158	7.366		.165		.312		145140	78180
KR-725	7.250	7.575		.209		.163	7.628		.189		.375		172190	83530
KR-750	7.500	7.840		.209		.170	7.895		.189		.375		178130	90120
KR-775	7.750	8.100	+0.008	.209	+0.008	.175	8.156		.189	+0.005	.375		184070	95870
KR-800	8.000	8.360	-0.008	.209	-0.000	.180	8.418		.189	-0.005	.375		190000	101790
KR-825	8.250	8.620		.209		.185	8.680		.189		.375		195940	107880
KR-850	8.500	8.880		.209		.190	8.942	+0.070	.189		.375		201880	114160
KR-875	8.750	9.145		.209		.198	9.209	-0.000	.189		.375		207820	122460
KR-900	9.000	9.405		.209		.203	9.471		.189		.375		213750	129140
KR-925	9.250	9.669		.209		.210	9.736		.189		.375		219690	137310
KR-950	9.500	9.930		.209		.215	9.999		.189		.375		225630	144380
KR-975	9.750	10.189		.209		.220	10.260		.189		.375		231570	151620
KR-1000	10.000	10.450		.209		.225	10.552		.189		.375		237500	159040
KR-1050	10.500	10.970		.209		.235	11.072		.189		.375		249380	174420

单位: inch

