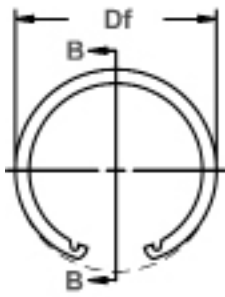




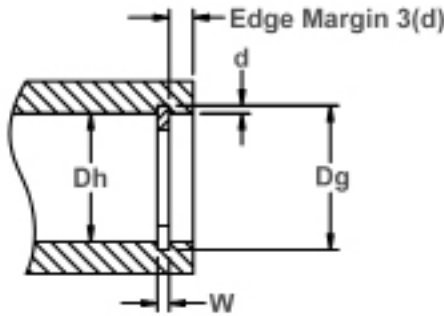
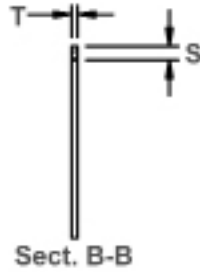
UHO 同心型扣环

开孔用同心型扣环

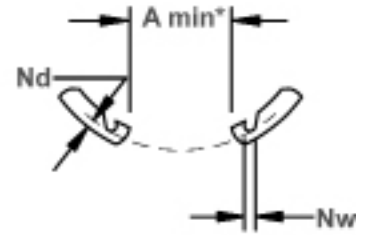
可简单脱卸有缺口的开孔用同心型扣环
当扣环置于适用的孔内沟槽时，从沟槽露出的扣环部分可固定和防止零件移动。



自由直径&扣环尺寸
B-B 横断面图



开孔直径&沟槽尺寸



*扣划安装在沟槽时

原材料: SAE 1060-1075

扣环 编号	开孔直径			沟槽尺寸			扣环尺寸						允许 静止时 负重 (Lbs.)		
				沟槽直径		深度	自由之径	板厚	板幅	间隙直径	槽口尺寸				
	Dh DEC	Dh FRACT.	Dh mm	Dg	公差						W	d		Df	公差
UHO-175	1.750	1-3/4	44.4	1.858			.054	1.878		.062	.156	.370	.078	.093	4100
UHO-181	1.812	1-13/16	46.0	1.922			.055	1.942		.062	.156	.370	.078	.093	4280
UHO-185	1.850	-	47.0	1.962	+/- .005	.068	.056	1.982		.062	.156	.370	.078	.093	4380
UHO-187	1.875	1-7/8	47.6	1.989		.068	.057	2.014		.062	.156	.400	.078	.093	4650
UHO-193	1.938	1-15/16	49.2	2.056		.068	.059	2.081		.062	.156	.400	.078	.093	5000
UHO-200	2.000	2	50.8	2.122		.068	.061	2.147	+ .070	.062	.156	.420	.078	.093	5350
UHO-206	2.047	-	52.0	2.171		.068	.062	2.201	- .000	.078	.171	.420	.085	.093	6490
UHO-206	2.062	2-1/16	52.4	2.186		.068	.062	2.201		.078	.171	.450	.085	.093	6490
UHO-212	2.125	2-1/8	54.0	2.251		.068	.063	2.271		.078	.171	.450	.085	.093	6810
UHO-218	2.165	-	55.0	2.295		.068	.065	2.338		.078	.171	.430	.085	.093	7240
UHO-218	2.188	2-3/16	55.6	2.318		.068	.065	2.338		.078	.171	.470	.085	.093	7240
UHO-225	2.250	2-1/4	57.1	2.382		.068	.066	2.402		.078	.171	.450	.085	.093	7560
UHO-231	2.312	2-5/16	58.7	2.450		.068	.069	2.470		.078	.171	.450	.085	.093	8120
UHO-237	2.375	2-3/8	60.3	2.517		.068	.071	2.537		.078	.188	.470	.093	.093	8580
UHO-244	2.440	2-7/16	62.0	2.584		.068	.072	2.604		.078	.188	.470	.093	.093	8940
UHO-250	2.500	2-1/2	63.5	2.648		.068	.074	2.673		.078	.188	.470	.093	.093	9410
UHO-253	2.531	2-17/32	64.3	2.681		.068	.075	2.706		.078	.188	.470	.093	.093	9660
UHO-256	2.562	2-9/16	65.1	2.714		.068	.076	2.739		.093	.188	.530	.093	.093	9910
UHO-262	2.625	2-5/8	66.7	2.781	+/- .006	.068	.078	2.806		.093	.188	.530	.093	.093	10420
UHO-268	2.677	-	68.0	2.837		.068	.080	2.868	+ .080	.093	.188	.530	.093	.093	10900
UHO-268	2.688	2-11/16	68.3	2.848		.068	.080	2.868	- .000	.093	.188	.560	.093	.093	10900
UHO-275	2.750	2-3/4	69.8	2.914		.068	.082	2.944		.093	.188	.590	.093	.093	11470
UHO-281	2.812	2-13/16	71.4	2.980		.068	.084	3.025		.093	.188	.590	.093	.093	12200
UHO-281	2.835	-	72.0	3.005		.068	.085	3.025		.093	.188	.660	.093	.093	12200
UHO-287	2.875	2-7/8	73.0	3.051		.068	.088	3.086		.093	.203	.620	.100	.093	12870
UHO-295	2.953	-	75.0	3.135		.068	.091	3.175		.093	.203	.620	.100	.093	13480
UHO-300	3.000	3	76.2	3.182		.068	.091	3.222		.093	.203	.620	.100	.093	13890
UHO-306	3.062	3-1/16	77.8	3.248		.068	.093	3.288		.109	.218	.650	.109	.125	14490
UHO-312	3.125	3-1/8	79.4	3.315		.068	.095	3.353		.109	.218	.650	.109	.125	15110
UHO-315	3.149	-	80.0	3.341		.068	.096	3.388		.109	.218	.650	.109	.125	15420
UHO-315	3.156	3-5/32	80.2	3.348		.068	.096	3.388	+ .100	.109	.218	.680	.109	.125	15420
UHO-325	3.250	3-1/4	82.5	3.446		.068	.098	3.488	- .000	.109	.218	.680	.109	.125	16210
UHO-334	3.346	3-11/32	85.0	3.546		.068	.100	3.590		.109	.218	.680	.109	.125	17030
UHO-347	3.469	3-15/32	88.1	3.675		.068	.103	3.721		.109	.234	.710	.120	.125	18190
UHO-350	3.500	3-1/2	88.9	3.710		.068	.105	3.760		.109	.234	.710	.120	.125	18700
UHO-354	3.543	-	90.0	3.755		.068	.106	3.805		.109	.234	.740	.120	.125	19400
UHO-354	3.562	3-9/16	90.5	3.776		.068	.107	3.805		.109	.234	.810	.120	.125	19400

*装载在沟槽中

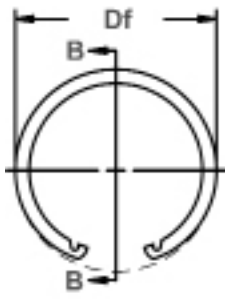
单位: inch

原材料: 碳素弹簧钢板 (SAE 1060/1075)

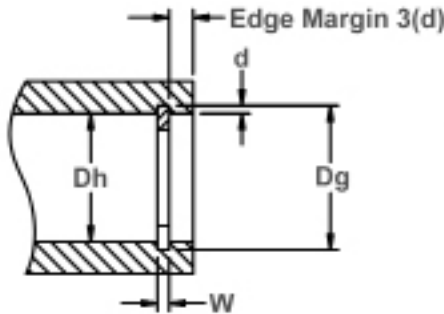
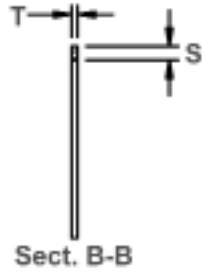
硬度	扣环尺寸	HRC
	175-700	45-52
	725-1000	40-47

如需了解备用前端部设计, 请与我们联系。E-mail: china@rotorclip.com

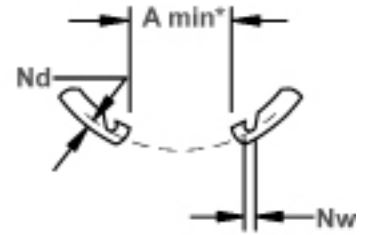




自由直径&扣环尺寸
B-B 横断面图



开孔直径&沟槽尺寸



*扣划安装在沟槽时

原材料: SAE 1060-1075

扣环 编号	开孔直径			沟槽尺寸				扣环尺寸					允许 静止时 负重 LOAD (Lbs.)					
				沟槽直径		沟槽宽度 W	深度 d	自由直径		板厚 T +/- .002	板幅 S +/- .005	间隙直径 A Min*		槽口尺寸				
	Dh DEC	Dh FRACT.	Dh mm	Dg	公差			Df	公差					深度 Nd +0/- .030	宽度 Nw REF			
UHO-362	3.625	3-5/8	92.1	3.841	+/- .006	.120	+ .005	- .000	.108	3.895	+ .100	- .000	.109	.234	.740	.120	.125	19930
UHO-375	3.740	-	95.0	3.964					.112	4.030			.109	.250	.740	.125	.125	21380
UHO-375	3.750	3-3/4	95.2	3.974					.112	4.030			.109	.250	.780	.125	.125	21380
UHO-387	3.875	3-7/8	98.4	4.107					.116	4.165			.109	.250	.780	.125	.125	22880
UHO-393	3.938	3-15/16	100.0	4.174					.118	4.234			.109	.250	.810	.125	.125	23650
UHO-400	4.000	4	101.6	4.240					.120	4.300			.109	.250	.810	.125	.125	24430
UHO-412	4.125	4-1/8	104.8	4.365					.120	4.430			.109	.250	.810	.125	.125	25190
UHO-425	4.250	4-1/4	108.0	4.490					.120	4.555			.109	.250	.810	.125	.125	25960
UHO-433	4.331	-	110.0	4.571					.120	4.641			.109	.250	.810	.125	.125	26450
UHO-450	4.500	4-1/2	114.3	4.740					.120	4.815			.109	.281	.840	.140	.156	27490
UHO-462	4.625	4-5/8	117.5	4.865					.120	4.940			.109	.281	.840	.140	.156	28250
UHO-475	4.724	-	120.0	4.969					.122	5.070			.109	.281	.840	.140	.156	29000
UHO-475	4.750	4-3/4	120.6	4.995					.122	5.070			.109	.281	.910	.140	.156	29000
UHO-500	5.000	5	127.0	5.260					.130	5.340			.109	.281	.930	.140	.156	33100
UHO-525	5.250	5-1/4	133.3	5.520	+/- .007	.139	+ .006	- .000	.135	5.600	+ .120	- .000	.125	.312	1.000	.156	.156	36070
UHO-537	5.375	5-3/8	136.5	5.650					.135	5.735			.125	.312	1.000	.156	.156	36930
UHO-550	5.500	5-1/2	139.7	5.770					.135	5.860			.125	.312	1.000	.156	.156	37790
UHO-575	5.750	5-3/4	146.0	6.020					.135	6.120			.125	.312	1.000	.156	.156	39500
UHO-600	6.000	6	152.4	6.270	+/- .008	.174	+ .008	- .000	.135	6.380	+ .150	- .000	.125	.312	1.000	.156	.156	41220
UHO-625	6.250	6-1/4	158.7	6.530					.140	6.640			.156	.343	1.030	.171	.156	44530
UHO-650	6.500	6-1/2	165.1	6.790					.145	6.905			.156	.343	1.090	.171	.156	47970
UHO-662	6.625	6-5/8	168.3	6.925					.150	7.045			.156	.343	1.120	.171	.156	50580
UHO-675	6.750	6-3/4	171.4	7.055					.152	7.180			.156	.343	1.130	.171	.156	52220
UHO-700	7.000	7	177.8	7.315					.157	7.445			.156	.343	1.140	.171	.156	55930
UHO-725	7.250	7-1/4	184.1	7.575					.162	7.705			.187	.375	1.140	.187	.187	59700
UHO-750	7.500	7-1/2	190.5	7.840					.170	7.975			.187	.375	1.150	.187	.187	64900
UHO-775	7.750	7-3/4	196.8	8.100					.175	8.240			.187	.375	1.160	.187	.187	68700
UHO-800	8.000	8	203.2	8.360					.180	8.505			.187	.437	1.200	.218	.187	72900
UHO-825	8.250	8-1/4	209.5	8.620	.185	8.770	.187	.437	1.230	.218	.187	77600						
UHO-850	8.500	8-1/2	215.9	8.880	.190	9.035	.187	.437	1.270	.218	.187	81800						
UHO-875	8.750	8-3/4	222.2	9.144	.197	9.305	.187	.437	1.320	.218	.187	87300						
UHO-900	9.000	9	228.6	9.404	.202	9.564	.187	.437	1.370	.218	.187	92400						
UHO-925	9.250	9-1/4	235.0	9.668	.209	9.833	.187	.500	1.400	.250	.187	98000						
UHO-950	9.500	9-1/2	241.3	9.930	.215	10.100	.187	.500	1.500	.250	.187	103900						
UHO-975	9.750	9-3/4	247.7	10.190	.220	10.365	.187	.500	1.620	.250	.187	10900						
UHO-1000	10.000	10	254.0	10.450	.225	10.630	.187	.500	1.750	.250	.187	114600						

*装载在沟槽中

单位: inch

如需了解备用前端部设计, 请与我们联系. E-mail: china@rotorclip.com

