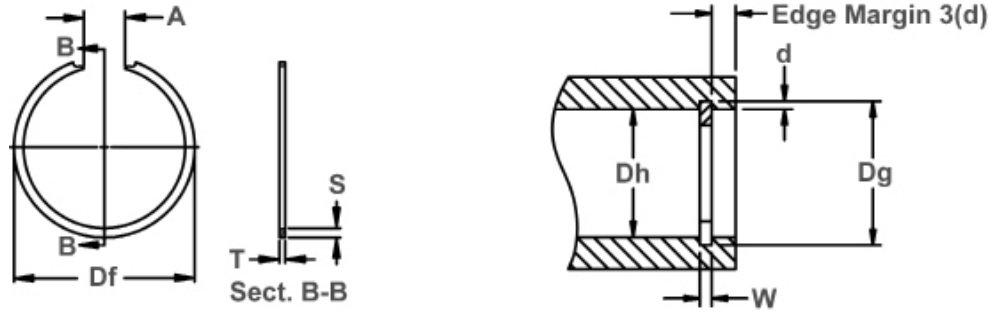


此扣环安装在有小孔的沟槽内。当扣环置于适用的孔内沟槽时，从沟槽露出的扣环部分可固定和防止零件移动。



自由直径&扣环尺寸
B-B 横断面图

开孔直径&沟槽尺寸

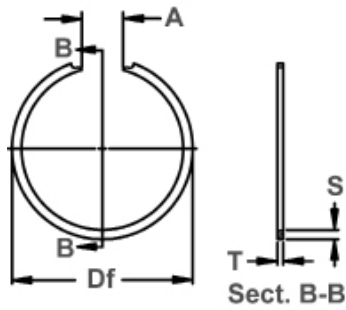
原材料: SAE 1060-1075

扣环 编号	开孔直径			沟槽尺寸				扣环尺寸						允许 静止时 负重 (Lbs.)	
				沟槽直径		沟槽宽度	深度	自由直径		板厚	板宽		自由间隙直径		
	Dh DEC	Dh FRACT.	Dh mm	Dg	公差	W	d	Df	公差	T +/- .002	s	公差	最小		最大
UHB-37	.375	3/8	9.5	0.395		.028	.010	0.400	+ .031	.025	.035		.125	.218	250
UHB-43	.438	7/16	11.1	0.462		.028	.012	0.467	- .000	.025	.035		.125	.218	300
UHB-50	.500	1/2	12.7	0.524		.028	.012	0.530		.035	.040		.187	.344	470
UHB-51	.512		13.0	0.536		.039	.012	0.542		.035	.040		.187	.344	480
UHB-56	.562	9/16	14.3	0.590		.039	.014	0.600		.035	.048		.187	.344	510
UHB-62	.625	5/8	15.9	0.657	+/- .003	.028	.016	0.670	+ .025	.035	.048		.187	.344	620
UHB-68	.688	11/16	17.5	0.720		.028	.016	0.733	- .000	.035	.048		.187	.344	700
UHB-75	.750	3/4	19.1	0.786		.028	.018	0.799		.035	.048		.187	.344	750
UHB-77	.777		19.7	0.813		.028	.018	0.827		.042	.062	+/- .003	.187	.344	1020
UHB-81	.812	13/16	20.6	0.852		.028	.020	0.867		.042	.062		.187	.344	1090
UHB-87	.875	7/8	22.2	0.919		.046	.022	0.934		.042	.062		.281	.438	1130
UHB-90	.901		22.9	0.945		.046	.022	0.961		.042	.078		.281	.438	1260
UHB-93	.938	15/16	23.8	0.986		.046	.024	1.003		.042	.078		.281	.438	1360
UHB-100	1.000	1	25.4	1.052		.046	.024	1.070		.042	.078		.281	.438	1470
UHB-102	1.023		26.0	1.075		.046	.026	1.094		.042	.093		.281	.438	1500
UHB-106	1.062	1-1/16	27.0	1.114		.046	.026	1.134		.050	.093		.281	.438	1780
UHB-112	1.125	1-1/8	28.6	1.181		.046	.028	1.202	+ .031	.050	.093		.375	.562	1880
UHB-118	1.188	1-3/16	30.2	1.248		.046	.030	1.270	- .000	.050	.093		.375	.562	1990
UHB-125	1.250	1-1/4	31.8	1.314		.046	.032	1.337		.050	.109		.375	.562	2090
UHB-131	1.312	1-5/16	33.3	1.380		.046	.034	1.404		.050	.109		.375	.562	2200
UHB-137	1.375	1-3/8	34.9	1.447		.056	.036	1.472		.050	.109		.375	.562	2300
UHB-143	1.438	1-7/16	36.5	1.510		.056	.036	1.535		.050	.125		.375	.562	2460
UHB-145	1.456	-	36.1	1.532	+/- .005	.028	.038	1.557		.050	.125		.375	.562	2490
UHB-150	1.500	1-1/2	38.1	1.576		.028	.038	1.607		.050	.125		.375	.562	2560
UHB-156	1.562	1-9/16	39.7	1.642		.040	.040	1.668		.062	.125		.437	.687	3060
UHB-162	1.625	1-5/8	41.3	1.709		.040	.042	1.736		.062	.141	+/- .005	.437	.687	3190
UHB-165	1.653	-	42.0	1.737		.040	.042	1.765		.062	.141		.437	.687	3240
UHB-168	1.688	1-11/16	42.9	1.776		.068	.044	1.804	+ .046	.062	.156		.437	.687	3370
UHB-175	1.750	1-3/4	44.4	1.842		.068	.046	1.870	- .000	.062	.156		.437	.687	3510
UHB-181	1.812	1-13/16	46.0	1.904		.068	.046	1.933		.062	.156		.437	.687	3640
UHB-185	1.850	-	47.0	1.946		.068	.048	1.975		.062	.156		.437	.687	3710
UHB-187	1.875	1-7/8	47.6	1.971		.068	.048	2.000		.062	.156		.437	.687	3760

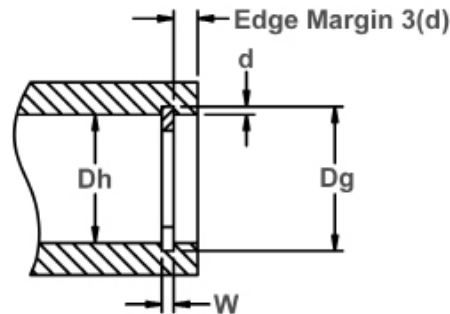
单位: inch

硬度: 全尺寸: HRC42~52

如需了解备用前端部设计, 请与我们联系。E-mail: china@rotorclip.com



自由直径&扣环尺寸
B-B 横断面图



开孔直径&沟槽尺寸

原材料: SAE 1060-1075

扣环 编号	开孔直径			沟槽尺寸			扣环尺寸					允许 静止时 负重 (Lbs.)			
				沟槽直径		沟槽宽度	深度	自由直径		板厚	板宽		自由间隙直径		
	Dh DEC	Dh FRACT.	Dh mm	Dg	公差	W	d	Df	公差	T +/-0.002	s		公差	最小	最大
UHB-193	1.938	1-15/16	49.2	2.038	+/-0.005	.068	.050	2.068	+0.046	.062	.156	+/-0.005	.500	.750	3870
UHB-196	1.968	1-31/32	50.0	2.068		.068	.050	2.098		.062	.156		.500	.750	3935
UHB-200	2.000	2	50.8	2.100		.068	.050	2.131		.062	.156		.500	.750	4000
UHB-206	2.062	2-1/16	52.4	2.166	+/-0.006	.086	.052	2.197	-0.000	.062	.156	+/-0.005	.500	.750	4380
UHB-212	2.125	2-1/8	54.0	2.229		.086	.052	2.260		.078	.156		.500	.750	5140
UHB-218	2.188	2-3/16	55.6	2.296		.086	.054	2.331		.078	.171		.500	.750	5470
UHB-225	2.250	2-1/4	57.1	2.358	+/-0.006	.103	.054	2.393	-0.000	.078	.171	+/-0.005	.500	.750	5630
UHB-231	2.312	2-5/16	58.7	2.424		.103	.056	2.459		.078	.171		.500	.750	5790
UHB-237	2.375	2-3/8	60.3	2.487		.103	.056	2.523		.078	.171		.500	.750	5950
UHB-244	2.440	2-7/16	62.0	2.556	+/-0.006	.120	.058	2.592	+0.062	.078	.187	+/-0.005	.500	.750	6270
UHB-250	2.500	2-1/2	63.5	2.616		.120	.058	2.653		.078	.187		.500	.750	6350
UHB-253	2.531	2-17/32	64.3	2.651		.120	.060	2.688		.078	.187		.500	.750	6510
UHB-256	2.562	2-9/16	65.1	2.686	+/-0.006	.120	.062	2.726	-0.000	.093	.187	+/-0.005	.562	.812	8400
UHB-262	2.625	2-5/8	66.7	2.750		.120	.062	2.790		.093	.187		.562	.812	8650
UHB-268	2.688	2-11/16	68.3	2.816		.120	.062	2.856		.093	.187		.562	.812	8800
UHB-271	2.717	-	68.8	2.842	+/-0.006	.120	.064	2.882	+0.078	.093	.187	+/-0.005	.562	.812	8875
UHB-275	2.750	2-3/4	69.8	2.878		.120	.064	2.918		.093	.187		.562	.812	8950
UHB-281	2.812	2-13/16	71.4	2.945		.120	.066	2.985		.093	.187		.625	.875	9100
UHB-283	2.835	-	72.0	2.966	+/-0.006	.120	.066	3.006	-0.000	.093	.187	+/-0.005	.625	.875	9250
UHB-287	2.875	2-7/8	73.0	3.011		.120	.068	3.056		.093	.187		.625	.875	9400
UHB-300	3.000	3	76.2	3.136		.120	.068	3.181		.093	.187		.625	.875	9550
UHB-306	3.062	3-1/16	77.8	3.202	+/-0.006	.120	.070	3.247	+0.062	.109	.218	+/-0.005	.625	.875	10470
UHB-312	3.125	3-1/8	79.4	3.265		.120	.070	3.311		.109	.218		.625	.875	10690
UHB-315	3.156	3-5/32	80.2	3.296		.120	.070	3.342		.109	.218		.625	.875	10800
UHB-325	3.250	3-1/4	82.5	3.394	+/-0.006	.120	.072	3.442	-0.000	.109	.218	+/-0.005	.718	1.062	11120
UHB-334	3.346	3-11/32	85.0	3.490		.120	.072	3.539		.109	.218		.718	1.062	11450
UHB-346	3.469	3-15/32	88.1	3.613		.120	.072	3.663		.109	.218		.718	1.062	11870
UHB-350	3.500	3-1/2	88.9	3.648	+/-0.006	.120	.074	3.700	+0.078	.109	.250	+/-0.005	.718	1.062	11970
UHB-354	3.543	-	90.0	3.691		.120	.074	3.745		.109	.250		.718	1.062	12120
UHB-356	3.562	3-9/16	90.5	3.710		.120	.074	3.766		.109	.250		.718	1.062	12190
UHB-362	3.625	3-5/8	92.1	3.773	+/-0.006	.120	.074	3.831	-0.000	.109	.250	+/-0.005	.718	1.062	12380
UHB-375	3.750	3-3/4	95.2	3.902		.120	.076	3.962		.109	.250		.718	1.062	12600

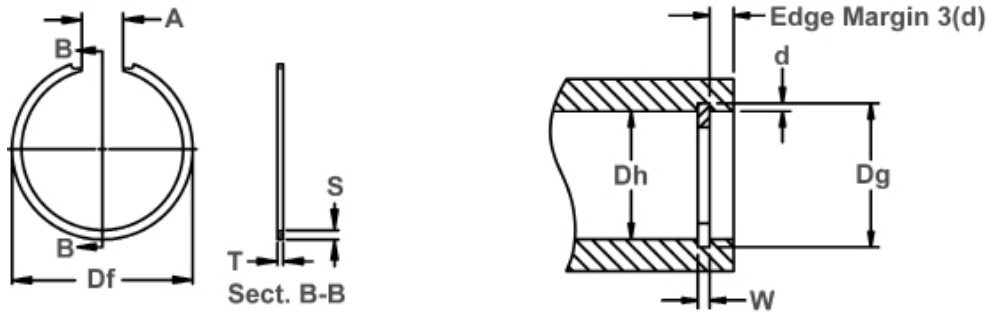
单位: inch

硬度: 全尺寸: HRC42~52

如需了解备用前端部设计, 请与我们联系。E-mail: china@rotorclip.com



此扣环安装在有小孔的沟槽内。当扣环置于适用的孔内沟槽时，从沟槽露出的扣环部分可固定和防止零件移动。



自由直径&扣环尺寸
B-B 横断面图

开孔直径&沟槽尺寸

原材料: SAE 1060-1075

扣环 编号	开孔直径			沟槽尺寸				扣环尺寸					允许 静止时 负重 (Lbs.)					
				沟槽直径		沟槽宽度 W	深度 d	自由直径		板厚		板宽		自由间隙直径				
	Dh DEC	Dh FRACT.	Dh mm	Dg	公差			Df	公差	T +/-0.002	s	公差		最小	最大			
UHB-387	3.875	3-7/8	98.4	4.027	+/-0.006	.120 +0.006 -0.000	.076	4.089	+0.078	.109	.250	+/-0.005	.718	1.062	12820			
UHB-393	3.938	3-15/16	100.0	4.094			.078	4.156	-0.000	.109	.250		.718	1.062	13230			
UHB-400	4.000	4	101.6	4.156			.078	4.221		.109	.250		.875	1.312	13690			
UHB-412	4.125	4-1/8	104.8	4.285			.080	4.355		.109	.250		.875	1.312	14110			
UHB-425	4.250	4-1/4	108.0	4.410			.080	4.485		.109	.250		.875	1.312	14540			
UHB-433	4.331	-	110.0	4.490			.080	4.565	+0.093	.109	.250		.875	1.312	14960			
UHB-443	4.436	4-7/16	112.7	4.596			.080	4.670	-0.000	.109	.250		.875	1.312	15170			
UHB-450	4.500	4-1/2	114.3	4.664			.082	4.744		.109	.250		.875	1.312	15390			
UHB-462	4.625	4-5/8	117.5	4.795			.085	4.875		.109	.250		.875	1.312	15830			
UHB-475	4.750	4-3/4	120.6	4.926			.088	5.011		.109	.281		.875	1.312	16250			
UHB-500	5.000	5	127.0	5.180	.090	5.265		.109	.281	.875	1.312	17110						
UHB-525	5.250	5-1/4	133.3	5.435	+/-0.007	.139 +0.006 -0.000	.092	5.530		.125	.312	+/-0.005	1.000	1.500	20590			
UHB-537	5.375	5-3/8	136.5	5.565			.095	5.660		.125	.312		1.000	1.500	21110			
UHB-550	5.500	5-1/2	139.7	5.696			.098	5.796	+0.125	.125	.312		1.000	1.500	21790			
UHB-575	5.750	5-3/4	146.0	5.950			.100	6.050	-0.000	.125	.312		1.000	1.500	22570			
UHB-600	6.000	6	152.4	6.204			.102	6.309		.125	.312		1.000	1.500	23550			
UHB-625	6.250	6-1/4	158.7	6.458			+/-0.008	.174 +0.006 -0.000	.104	6.568			.156	.343	+/-0.005	1.000	1.500	29420
UHB-650	6.500	6-1/2	165.1	6.712					.106	6.832			.156	.343		1.125	1.812	30610
UHB-662	6.625	6-5/8	168.3	6.845					.110	6.975	+0.156		.156	.343		1.125	1.812	31400
UHB-675	6.750	6-3/4	171.4	6.970					.110	7.100	-0.000		.156	.343		1.125	1.812	32640
UHB-700	7.000	7	177.8	7.220					.110	7.350			.156	.343		1.125	1.812	34850
UHB-725	7.250	7-1/4	184.1	7.500	.125	7.630				.187	.375	1.375	2.250	38060				
UHB-750	7.500	7-1/2	190.5	7.750	.125	7.890				.187	.375	1.375	2.250	39450				
UHB-800	8.000	8	203.2	8.250	.125	8.400				.187	.375	1.375	2.250	41960				
UHB-825	8.250	8-1/4	209.5	8.540	.145	8.665				.187	.437	1.625	2.500	43320				
UHB-850	8.500	8-1/2	215.9	8.790	.145	8.915			+0.187	.187	.437	1.625	2.500	44710				
UHB-875	8.750	8-3/4	222.2	9.080	.165	9.205	-0.000	.187	.500	1.625	2.500	48900						
UHB-900	9.000	9	228.6	9.330	.165	9.455		.187	.500	1.625	2.500	49740						
UHB-905	9.250	9-1/4	235.0	9.384	.165	9.509		.187	.500	1.750	2.625	50050						
UHB-950	9.500	9-1/2	241.3	9.830	.165	9.955		.187	.500	1.750	2.625	52520						
UHB-984	9.750	9-3/4	247.7	10.170	.165	10.295		.187	.500	1.750	2.625	53780						
UHB-1000	10.000	10	254.0	10.330	.165	10.455		.187	.500	1.750	2.625	55400						

单位: inch

硬度: 全尺寸: HRC42~52

如需了解备用前端部设计, 请与我们联系。E-mail: china@rotorclip.com