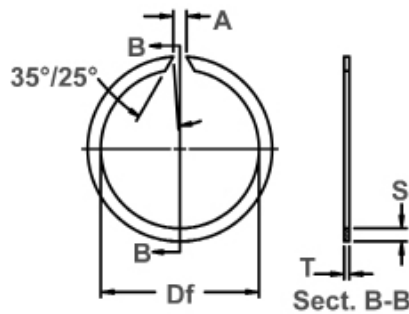


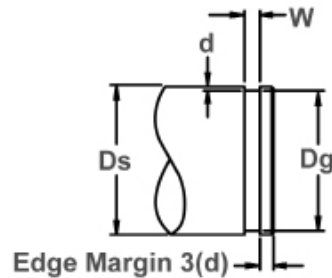
# 轴用同心型扣环

用于固定滚针轴承的轻载用轴用同心型扣环  
当扣环置于适用的轴上沟槽时，从沟槽露出的扣环部分可固定和防止零件移动。

# SNL 同心型扣环



自由直径&扣环尺寸  
B-B 横断面图



轴承直径&沟槽尺寸

原材料: SAE 1060-1075

扣环尺寸	轴承直径			沟槽尺寸			扣环尺寸					允许静止时受力 (Lbs.)			
	沟槽直径		D <sub>s</sub> mm	沟槽宽度 W	深度 d	自由直径		板厚 T ±.002	板宽		自由间隙直径				
	D <sub>s</sub> DEC	D <sub>s</sub> FRACT.				D <sub>g</sub>	公差		D <sub>f</sub>	公差	s		公差	A 最小	A 最大
SNL-50	.500	1/2	12.7	.474	±.002	.039	.013	.465	+ .000	.035	.048	±.003	.062	.218	460
SNL-62	.625	5/8	15.88	.597				.014	.587	-.025	.035				
SNL-75	.750	3/4	19.05	.716	±.003	.021	.823	.042	.078	.042	.093	±.005	.125	.281	1100
SNL-87	.875	7/8	22.23	.833											
SNL-100	1.000	1	25.40	.954	±.004	.026	1.120	.028	1.179	+.000	.042	.125	.125	.281	1600
SNL-112	1.125	1-1/8	25.58	1.077											
SNL-118	1.187	1-3/16	30.15	1.135	±.004	.046	.030	1.232	.033	1.289	.042	.125	.125	.281	1900
SNL-125	1.250	1-1/4	31.75	1.194											
SNL-131	1.312	1-5/16	33.32	1.252	±.004	-.000	.034	1.349	.035	1.410	.042	.125	.125	.281	2120
SNL-137	1.375	1-3/8	34.93	1.309											
SNL-143	1.437	1-7/16	36.50	1.369	±.006	.068	.062	2.596	.062	2.783	.062	.187	.156	.468	6150
SNL-150	1.500	1-1/2	38.10	1.430											
SNL-162	1.625	1-5/8	41.28	1.545	±.006	+.004	.062	2.965	.062	3.090	.062	.187	.156	.468	6500
SNL-168	1.687	1-11/16	42.85	1.607											
SNL-175	1.750	1-3/4	44.45	1.670	±.006	-.000	.062	3.215	.062	3.215	.062	.187	.156	.468	6600
SNL-193	1.937	1-15/16	49.20	1.857											
SNL-200	2.000	2	50.80	1.920	±.008	.086	.070	3.570	.078	.218	.078	.218	.187	.562	8800
SNL-218	2.187	2-3/16	55.55	2.107											
SNL-225	2.250	2-1/4	57.15	2.170	±.008	+.005	.070	4.070	.078	.218	.078	.218	.187	.562	9200
SNL-237	2.375	2-3/8	60.33	2.295											
SNL-250	2.500	2-1/2	63.50	2.420	±.008	-.000	.070	4.560	.078	.218	.078	.218	.187	.562	9200
SNL-275	2.750	2-3/4	69.85	2.626											
SNL-293	2.937	2-15/16	74.60	2.813	±.008	.103	.080	5.280	.093	.250	.093	.250	.218	.750	13000
SNL-300	3.000	3	76.20	2.876											
SNL-312	3.125	3-1/8	79.38	3.000	±.008	+.005	.080	6.270	.093	.250	.093	.250	.218	.750	7500
SNL-325	3.250	3-1/4	82.55	3.125											
SNL-337	3.375	3-3/8	85.73	3.250	±.008	-.000	.120	.090	7.245	+.000	.109	.281	.218	.812	
SNL-350	3.500	3-1/2	88.90	3.375											
SNL-375	3.750	3-3/4	95.25	3.610	±.008	+.005	.120	.090	7.740	+.000	.109	.281	.218	.812	
SNL-400	4.000	4	101.60	3.860											
SNL-425	4.250	4-1/4	107.95	4.110	±.008	+.005	.120	.090	7.740	+.000	.109	.281	.218	.812	
SNL-450	4.500	4-1/2	114.30	4.360											
SNL-475	4.750	4-3/4	120.65	4.610	±.008	+.005	.120	.090	7.740	+.000	.109	.281	.218	.812	
SNL-500	5.000	5	127.00	4.860											
SNL-550	5.500	5-1/2	139.70	5.340	±.008	+.005	.120	.090	7.740	+.000	.109	.281	.218	.812	
SNL-600	6.000	6	152.40	5.840											
SNL-650	6.500	6-1/2	165.10	6.340	±.008	+.005	.120	.090	7.740	+.000	.109	.281	.218	.812	
SNL-700	7.000	7	177.80	6.840											
SNL-750	7.500	7-1/2	190.50	7.320	±.008	+.005	.120	.090	7.740	+.000	.109	.281	.218	.812	
SNL-800	8.000	8	203.24	7.820											

单位: inch

硬度: 全尺寸: HRC42~52

如需了解备用前端部设计, 请与我们联系. E-mail: china@rotorclip.com



如需了解最新的产品规格, 报价, 样品申请及网上订购, 请访问 [www.rotorclip.cn](http://www.rotorclip.cn)