



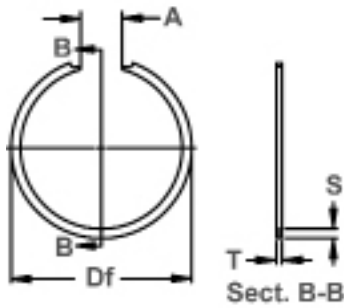
HBL/HBM/HBH

同心型扣环

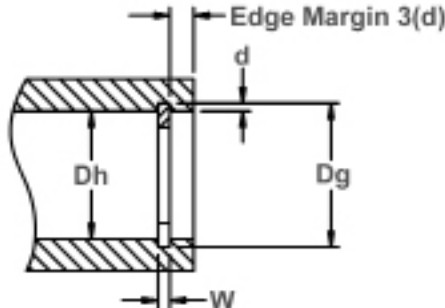
开孔用同心型扣环

SAE标准产品

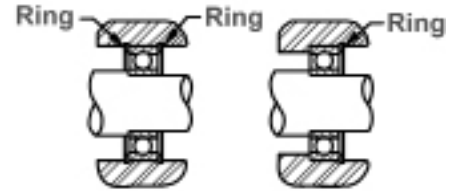
当扣环置于适用的孔内沟槽时，从沟槽露出的扣环部分可固定和防止零件移动。



自由直径&扣环尺寸
B-B 横断面图



开孔直径&沟槽尺寸



此扣环可用于固定轴承。您可使用2个扣环用于固定轴承的左右两个外端（左图）。也可选择1个扣环来固定轴承的一个外端（右图）。

原材料: SAE 1060-1075

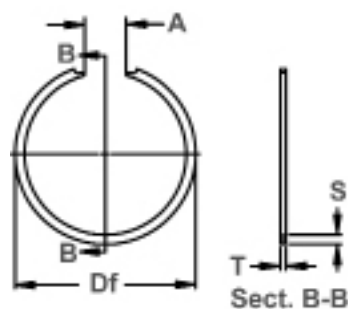
扣环 编号	轴承编号			开孔直径		沟槽尺寸					扣环尺寸					最小 自由外径 时的 间隙直径
						沟槽直径		沟槽宽度		深度	自由直径		板厚		板宽	
	轻	中	重	Dh DEC	Dh mm	Dg	公差	W	公差		d	Df	公差	T±.002	S	
HBL-30	200			1.1811	29.93	1.243		.035		.031	1.265		.031	.100	±.003	.375
HBM-30				1.1811	29.93	1.253		.046		.036	1.265		.042	.125	±.005	
HBH-30				1.1811	29.93	1.251		.068		.035	1.271		.062	.109	±.003	
HBL-32	201			1.2598	31.93	1.321		.035		.031	1.349	+0.031	.031	.100		+0.080
HBM-32				1.2598	31.93	1.331		.046		.036	1.343	-0.000	.042	.125	±.005	
HBH-32				1.2598	31.93	1.329		.068		.035	1.365		.062	.109	±.003	
HBL-35	202			1.3780	34.92	1.440		.035		.031	1.468		.031	.100		-0.000
HBM-35		300		1.3780	34.92	1.450		.046		.036	1.468		.042	.125	±.005	
HBH-35				1.3780	34.92	1.458		.068		.040	1.486		.062	.140		
HBL-37				1.4567	36.92	1.518	±.005	.035		.031	1.546		.031	.100	±.003	
HBM-37		301		1.4567	36.92	1.528		.046		.036	1.546		.042	.125		
HBH-37				1.4567	36.92	1.536		.068		.040	1.564		.062	.140		
HBL-40	203			1.5748	39.91	1.654		.046		.040	1.687		.042	.125		.437
HBM-40				1.5748	39.91	1.668		.046		.047	1.703		.042	.156		
HBH-40				1.5748	39.91	1.668		.068		.047	1.703		.062	.156		
HBL-42				1.6535	41.90	1.733		.046		.040	1.765		.042	.125		+0.093
HBM-42		302		1.6535	41.90	1.747		.046		.047	1.781	+0.046	.042	.156		
HBH-42				1.6535	41.90	1.747		.062		.047	1.781	-0.000	.062	.156		
HBL-47	204			1.8504	46.89	1.930		.046		.040	1.968		.042	.125		-0.000
HBM-47		303		1.8504	46.89	1.944		.046		.047	1.968		.042	.156		
HBH-47				1.8504	46.89	1.951		.068		.050	1.976		.062	.172		
HBL-52	205			2.0472	51.88	2.137		.046	+0.004	.045	2.171		.042	.156		±.005
HBM-52		304		2.0472	51.88	2.141		.046	-0.000	.047	2.171		.042	.156		
HBH-52				2.0472	51.88	2.148		.068		.050	2.179		.062	.172		
HBL-62	206			2.4409	61.86	2.530		.068		.045	2.562		.062	.156		±.005
HBM-62		305		2.4409	61.86	2.544		.068		.052	2.562		.062	.156		
HBH-62			403	2.4409	61.86	2.565		.103		.062	2.593		.093	.187		
HBL-72	207			2.8346	71.83	2.934	±.006	.068		.050	2.968		.062	.156		.562
HBM-72		306		2.8346	71.83	2.959		.068		.062	2.984		.062	.187		
HBH-72			404	2.8346	71.83	2.959		.103		.062	3.000		.093	.187		
HBL-80	208			3.1496	79.82	3.249		.068		.050	3.281	+0.062	.062	.156		+0.093
HBM-80		307		3.1496	79.82	3.274		.068		.062	3.296	-0.000	.062	.187		
HBH-80			405	3.1496	79.82	3.274		.103		.062	3.312		.093	.218		
HBL-85	209			3.3465	84.81	3.446		.068		.050	3.484		.062	.156		-0.000
HBM-85				3.3465	84.81	3.471		.068		.062	3.500		.062	.187		
HBH-85				3.3465	84.81	3.471		.103		.062	3.500		.093	.218		

单位: mm

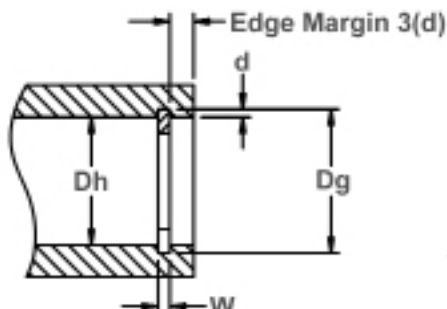
硬度: 全尺寸: HRC 42~52

如需了解备用前端部设计, 请与我们联系。E-mail: china@rotorclip.com

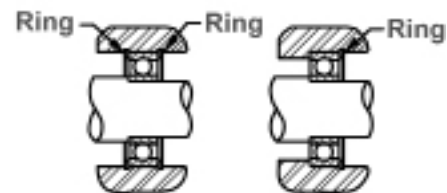




自由直径&扣环尺寸
B-B 横断面图



开孔直径&沟槽尺寸



此扣环可用于固定轴承。您可使用2个扣环用于固定轴承的左右两个外端（左图）。也可选择1个扣环来固定轴承的一个外端（右图）。

原材料: SAE 1060-1075

扣环 编号	轴承编号			开孔直径		沟槽尺寸					扣环尺寸					最小 自由外径 时的 间隙直径
						沟槽直径		沟槽宽度		深度	自由直径		板厚	板宽		
	轻	中	重	Dh DEC	Dh mm	Dg	公差	W	公差	d	Df	公差	T±.002	S	公差	
HBL-90	210			3.5433	89.79	3.643		.103		.050	3.687		.093	.156		
HBM-90		308		3.5433	89.79	3.668		.103		.062	3.703		.093	.187		
HBH-90			406	3.5433	89.79	3.713		.139		.085	3.750		.125	.250		
HBL-100	211			3.9370	100.00	4.062		.103		.062	4.093		.093	.187		
HBM-100		309		3.9370	100.00	4.107		.103		.085	4.140		.093	.250	.687	
HBH-100			407	3.9370	100.00	4.107		.139		.085	4.140		.125	.250	+0.093	
HBL-110	212			4.3307	110.00	4.455	±.006	.103		.062	4.500	+0.093	.093	.187		
HBM-110		310		4.3307	110.00	4.500		.103		.085	4.531	-0.000	.093	.250		
HBH-110			408	4.3307	110.00	4.500		.139		.085	4.531		.125	.250		
HBL-120	213			4.7244	120.00	4.884		.120		.080	4.937		.109	.250		
HBM-120		311		4.7244	120.00	4.912		.120		.094	4.953		.109	.281		
HBH-120			409	4.7244	120.00	4.894		.139		.085	4.937		.125	.250		
HBL-125	214			4.9213	125.00	5.081		.120		.080	5.125		.109	.250		
HBM-125				4.9213	125.00	5.109		.120		.094	5.156		.109	.281		
HBH-125				4.9213	125.00	5.121		.174	+0.004	.100	5.151		.156	.312	±.005	
HBL-130	215			5.1181	130.00	5.278		.120	-0.000	.080	5.312		.109	.250	.875	
HBM-130		312		5.1181	130.00	5.306		.120		.094	5.343		.109	.281	+0.125	
HBH-130			410	5.1181	130.00	5.318		.174		.100	5.355		.156	.312	-0.000	
HBL-140	216			5.5118	140.00	5.671		.120		.080	5.703		.109	.250		
HBM-140		313		5.5118	140.00	5.699		.120		.094	5.750	+0.125	.109	.281		
HBH-140			411	5.5118	140.00	5.711	±.007	.174		.100	5.750	-0.000	.156	.312		
HBL-150	217			5.9055	150.00	6.065		.120		.080	6.093		.109	.250		
HBM-150		314		5.9055	150.00	6.093		.120		.094	6.125		.109	.281		
HBH-150			412	5.9055	150.00	6.105		.174		.100	6.156		.156	.312		
HBL-160	218			6.2992	160.00	6.459		.120		.080	6.500		.109	.250		
HBM-160		315		6.2992	160.00	6.497		.120		.094	6.550		.109	.281		
HBH-160			413	6.2992	160.00	6.500		.174		.100	6.550		.156	.312		
HBL-170	219			6.6929	170.00	6.892		.139		.100	6.937		.125	.312		
HBM-170		316		6.6929	170.00	6.942		.139		.125	6.982		.125	.375		
HBH-170				6.6929	170.00	6.892		.174		.100	6.937		.156	.312		
HBL-180	220			7.0866	180.00	7.286		.139		.100	7.343		.125	.312		
HBM-180		317		7.0866	180.00	7.336		.139		.125	7.380	+0.187	.125	.375		
HBH-180			414	7.0866	180.00	7.336	±.008	.209		.125	7.381	-0.000	.187	.375	1.125	
HBL-190	221			7.4803	190.00	7.680		.139		.100	7.718		.125	.312	+0.187	
HBM-190		318		7.4803	190.00	7.730		.139		.125	7.781		.125	.375	-0.000	
HBH-190				7.4803	190.00	7.730		.209		.125	7.782		.187	.375		
HBL-200	222			7.8740	200.00	8.074		.139		.100	8.125		.125	.312		
HBM-200		319		7.8740	200.00	8.125		.139		.125	8.187		.125	.375		
HBH-200			416	7.8740	200.00	8.125		.209		.125	8.187		.187	.375		

单位: mm

硬度: 全尺寸: HRC 42~52

如需了解备用前端部设计, 请与我们联系。E-mail: china@rotorclip.com

